

KTSL7540



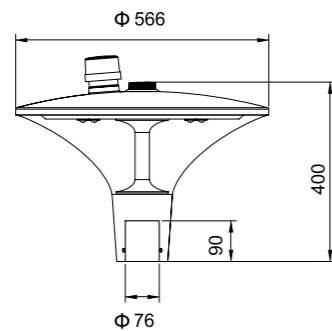
产品说明 :

- 旋压外壳
- 二次配光技术
- 抗 UV PC 灯罩
- 整体密封结构

Product description:

- Spinning aluminum housing
- Double photometric diffuser technology
- UV-stop PC lamp cover
- Sealed lamp housing

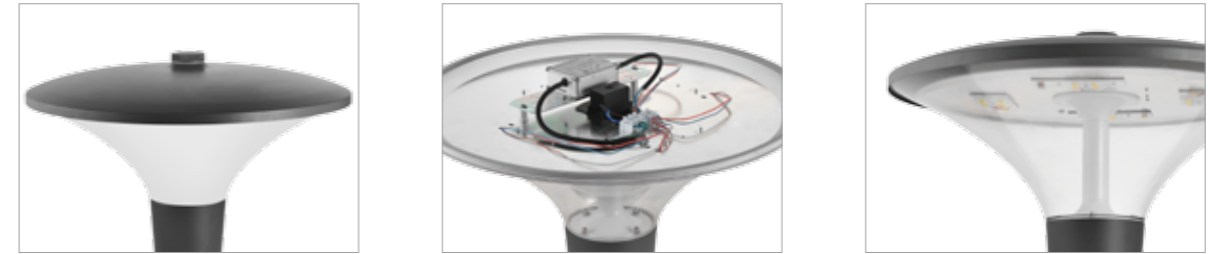
灯具尺寸 Product Dimensions(mm)



配置数据 /Configuration Data:

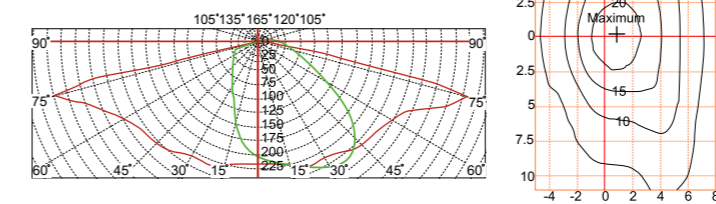
产品型号 Product Code	额定功率 Rated Power	LED 颗数 LED Qty	初始光通量 Luminous Flux	毛净重 G.W/N.W	包装尺寸 Packing Size	装柜数量 Loading Qty
KTSL7540-30(16)	30W	16	3810	7.5/6(kgs)	605x605x420mm	135PCS/20'GP
KTSL7540-55(24)	55W	24	6985	7.5/6(kgs)	605x605x420mm	342PCS/40'HQ
KTSL7540-70(32)	70W	32	8890	7.5/6(kgs)	605x605x420mm	

Led Garden Lighting / 庭院灯

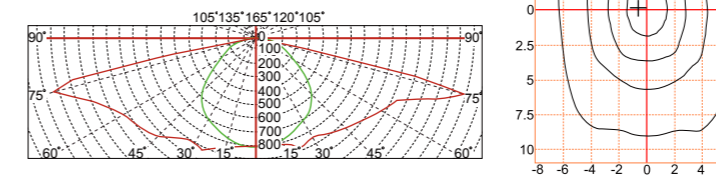


配光曲线 Polar Diagram

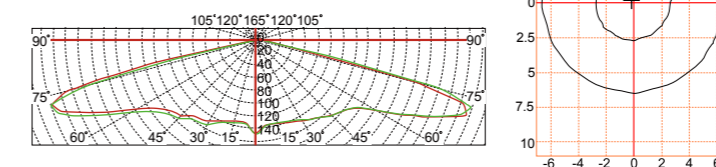
Type1



Type2



Type3



参考颜色 Reference color : RAL 9005 RAL 7015